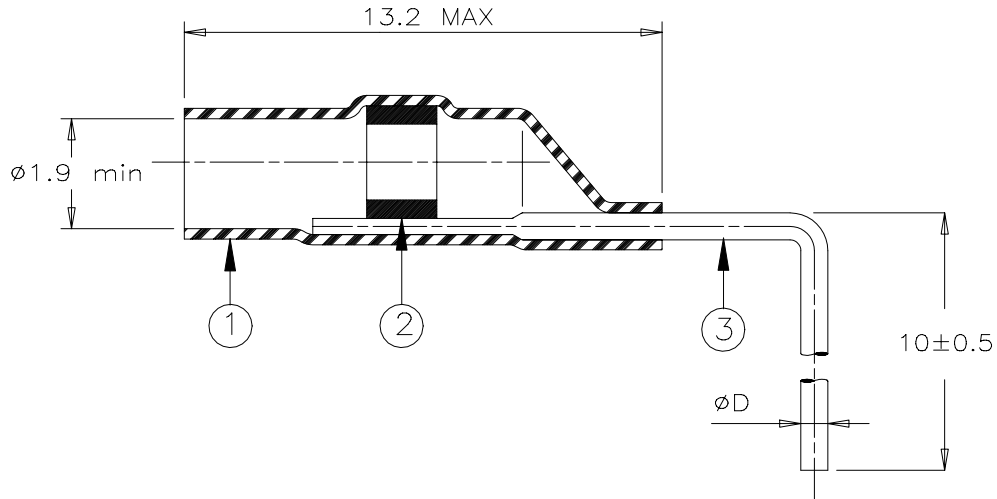


SPECIFICATION CONTROL DRAWING



Product Revision		̸D	̸X
Product Name			
B-801-06	G	0.68	0.8
B-801-08	F	0.88	1

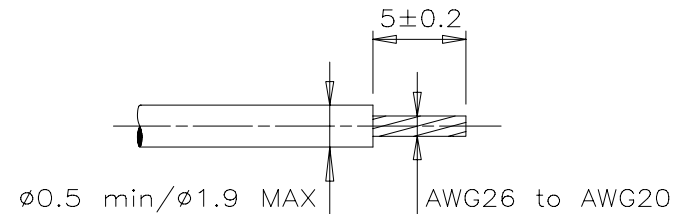
MATERIALS

- INSULATION SLEEVE: Heat-shrinkable, transparent blue, radiation cross-linked modified polyvinylidene fluoride.
- SOLDER PREFORM WITH FLUX:
SOLDER: TYPE Sn63 per ANSI-J-STD-006.
FLUX: TYPE ROL1 per ANSI-J-STD-004.
- PIN: Phosphor bronze coated with Sn60 Pb40 solder alloy.

APPLICATION

- These controlled soldering devices are designed for termination of a tin or silver plated stranded AWG26, AWG24 and AWG22 conductor having an insulation rated for at least +125°C on a PC board with ̸X diameter hole. If AWG20 wire is used, pre-tinning is recommended.
- Temperature range: -55°C to +150°C. For application tooling, contact your local Raychem technical service.

For best results, prepare the wire as shown:



* A trademark of Raychem Corporation.

Raychem	THERMOFIT DEVICES	Raychem Corporation 300 Constitution Drive Menlo Park, CA 94025 USA	TITLE: PINPAK* DEVICE FOR PCB TERMINATION			
UNLESS OTHERWISE SPECIFIED DIMENSIONS ARE IN MILLIMETERS. INCHES DIMENSIONS ARE BETWEEN BRACKETS.			DOCUMENT NO.: B-801-0X			
TOLERANCES: 0.00 N/A 0.0 N/A 0 N/A	ANGLES: N/A ROUGHNESS IN MICRON	Raychem reserves the right to amend this drawing at any time. Users should evaluate the suitability of the product for their application.	DCR NUMBER: D990184	REPLACES: D980896		
DRAWN BY: M. FORONDA	DATE: 03/22/99	PROD. REV. SEE TABLE	DOC ISSUE: 2	SCALE: None	SIZE: A	SHEET: 1 of 1

If this document is printed it becomes uncontrolled. Check for the latest revision.